

APPLICATION:

PRODUCT NAME:

SINGLE DECK FAUCET WITH RIGID GOOSENECK SPOUT

JOB NAME:

_____ SPECIAL CONFIGURATION
CHECK BASE MODEL AND OPTIONS

QUANTITY:

ITEM NO.

MODEL:

- 3016 WITH 12" RIGID GOOSENECK SPOUT
- 3026 WITH 6" RIGID GOOSENECK SPOUT

OPTIONS OR MODIFICATIONS:

- SUPPLY LINES (24" OR 36") CIRCLE LENGTH
- VANDAL RESISTANT KIT
- HANDLES (CROSS OR WRIST) CIRCLE STYLE
- OTHER _____

FEATURES

CONTROL VALVE

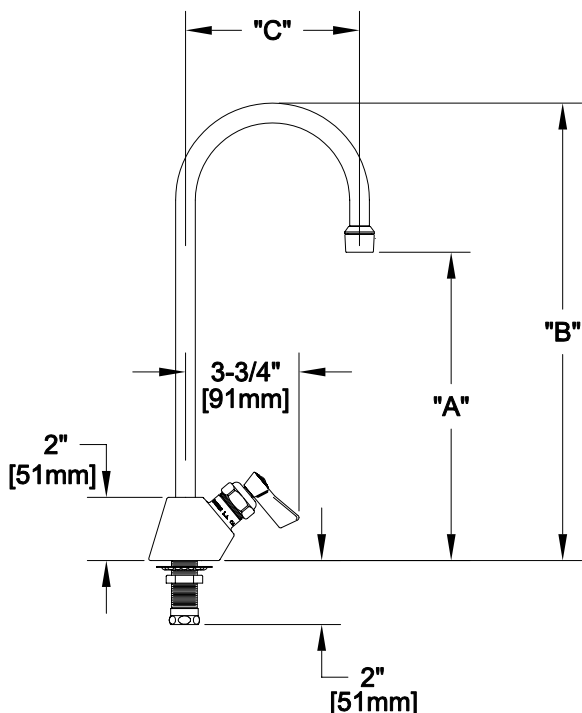
- * SINGLE DECK MOUNT
- * SWIVELLING SEAT DISK
- * STEM - LEFT HAND
- * STAINLESS STEEL SEAT
- * STAINLESS STEEL SEAT SCREW
- * STAINLESS STEEL HANDLE SCREW
- * HOT AND COLD INDEX BUTTONS

SYSTEM LIMITS

- * TEMP: 40°F MIN. TO 140°F MAX.
- * PRESSURE: 200 PSI MAX. STATIC
- * 2.2 GPM AT 60 PSI

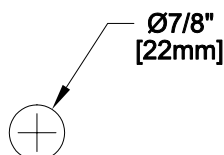
SHIPPING WEIGHT

- * 3.25 LBS



MODEL	DIM "A"	DIM "B"	DIM "C"
3016	10-1/8" [257mm]	14" [356mm]	5-1/2" [140mm]
3026	6-1/8" [156mm]	9-5/8" [245mm]	3-1/2" [89mm]

ROUGH-IN:



ANSI/A112.18.1M

FISHER

FISHER MANUFACTURING COMPANY

TOLL FREE: 800-421-6162 - FAX: 800-832-8238

information@fisher-mfg.com - www.fisher-mfg.com